



**Wuxi LOTOS International Co.,Ltd**  
ADD: NO 291, GUANGYI RD, CHONG AN DIS, WUXI CHINA  
Tel/fax: +86-510-8202 6466

## Thermal Oil Boiler



### Product Description

Thermal Oil Boiler belongs to the ready assembly and integrative boiler, making the installation more easy and convenient, with no need of special foundation; it adopts three-pass structure with more efficient heating. Fuels: coal, wood pellets, biomass, diesel oil, heavy oil, natural gas, city coal gas, coal oven gas, producer gas with low thermal value, liquefied gas, industrial combustible waste and waste gas, etc.

### Operating Principle:

The heating surface consists of three dense coils as inner, middle, and outer coil; the inner coil is radiation heating surface and the three surfaces forms a convection heating surface; fuels are burned in the chamber made up of the inner coil, realising heat; most of the heat is absorbed by the radiation surface; high temperature smoke enters the convection surface for heat exchange; finally the low temperature smoke is discharged into the air through the chimney.

Web: [www.lotospallet.com](http://www.lotospallet.com)

Email: [sales@lotospallet.com](mailto:sales@lotospallet.com)

Mobile: 0098-913 331 6692- 0098-913 111 3719



**The Features:**

- Three-pass structure, occupying less storage space;
- All Hand Welding in the production processes;
- Low fuel consumption, less pollution;
- Burner imported from Italy (Brand: Baltur);
- Intelligent control system & simulation screen controller;
- Central processor control;
- Automatic ignition and shutdown procedure control
- Automatic combustion control;
- Automatic switching and control of circulating pump;
- Automatic fault processing and alarm.

**Parameter Table:**

No.	Name	Type	Unit	Q
<b>Combustion cycle system</b>				
1	Boiler body	4WS80-1-0	set	1
2	Explosion door components	Φ 300	set	1
3	Burner(Gas and diesel)	Baltur	set	1
4	chimney	Φ 300 With a rainhat	M	6
5	Impossible to round		set	1
6	asbestos cord		M	6
7	High temperature circulating pump	WRY100-65-230 22KW	set	2
8	Gear oil pump injection	KCB-55 1.5KW	set	1
9	High expansion slot(open)	Φ 1200×1250	set	1
10	Low expansion slot(open)	Φ 1400×1250	set	1
11	oil-gas separator	DN125	set	1
12	Y type oil filter	DN125	set	2
13	Y type oil filter	DN25	set	1
<b>The auxiliary equipment</b>				
1	sampling cooler		set	1
<b>Instrument control system</b>				
1	Electric control cabinet	DKS80 automatic control /alarm	set	1
2	bimetal thermometer(for high-level tank)	WSS511,0~400℃ L1200 M27×2	set	1
3	bimetal thermometer(for low-level tank)	WSS511,0~400℃ L1400 M27×2	set	1
4	bimetal thermometer	WSS501,0~400℃ L100 M27×2	set	2
5	platinum thermistor	WZP230,Pt100 L100 M27×2	set	2

**Wuxi LOTOS International Co.,Ltd**

ADD: NO 291, GUANGYI RD, CHONG AN DIS, WUXI CHINA

Tel/fax: +86-510-8202 6466

6	electro connecting pressure gauge	YXC-150,0~1.6MPa M20×1.5	set	2
7	ball float level controller	UQK-02	set	1
8	Cable, the sheath line		set	1
9	High-level tank level gauge	AT25-I	set	1
10	Low-level tank level gauge	AT25-I	set	1
11	Temperature section(With gasket)	M27×2	set	3
12	Thermal resistance of beam section(With gasket)	M27×2	set	2
13	Pressure gauge beam section(With gasket)	M20×1.5	set	2
14	Pressure gauge buffer tube	M20×1.5	set	2
15	needle valve	M20×1.5	set	2
<b>Installation materials and pipe fittings</b>				
1	concentric reducer	Φ 100× Φ 125	set	2
2	concentric reducer	Φ 65× Φ 125	set	2
3	safety valve(Spring grade pressure, 0.8 to 1.0)	A41H-16C PN1.6 DN32	set	1
4	high temperature cut-off valve	Z41H-16C PN1.6 DN125	set	5
5	high temperature cut-off valve	Z41H-16C PN1.6 DN65	set	2
6	high temperature cut-off valve	Z41H-16C PN1.6 DN25	set	7
7	high temperature cut-off valve	Z41H-16C PN1.6 DN15	set	1
8	elbow		set	1
9	flange		set	1
10	gasket		set	1
11	bolt		set	1
12	pipeline		set	1
13	frame		set	1
<b>spare part</b>				
1	Heat pump oil seal		set	2
2	Heat pump flange		set	4
3	Y type oil filter cap gasket		set	2
<b>Documents</b>				
1	Boiler drawings		set	1
2	Equipment foundation drawing		set	1
3	process flow diagram		set	1

Web: [www.lotospallet.com](http://www.lotospallet.com)Email: [sales@lotospallet.com](mailto:sales@lotospallet.com)

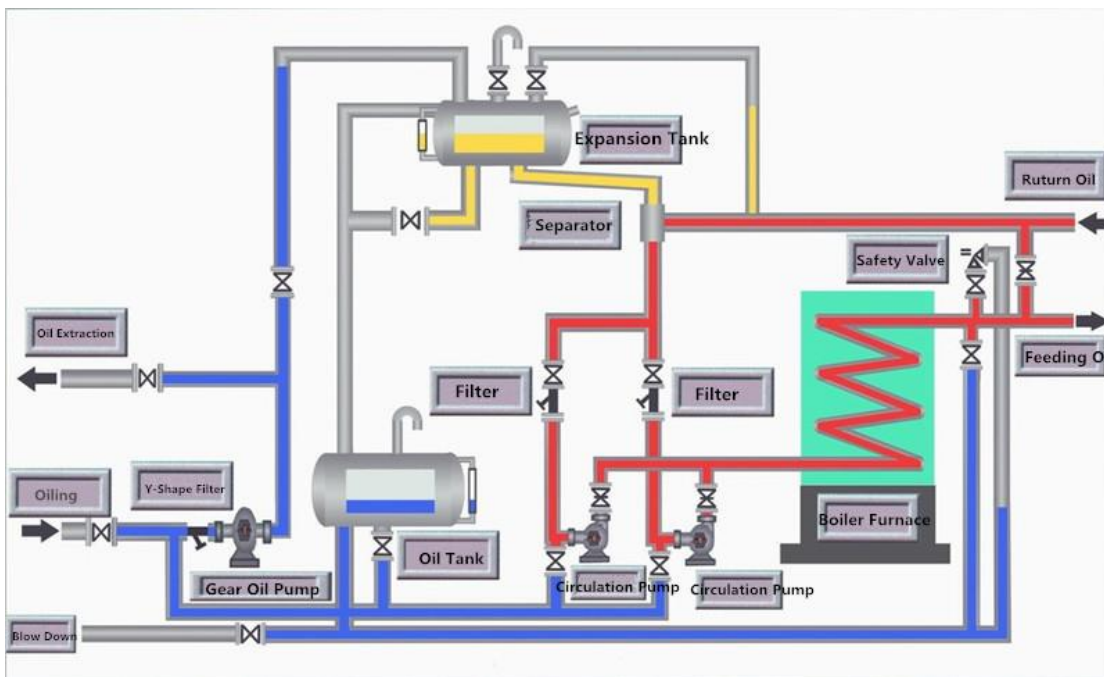
Mobile: 0098-913 331 6692- 0098-913 111 3719

4	quality certificate	set	1
5	operation instruction	set	1
6	The boiler device prizing type information	set	1

**Details on YY(Q)W-1000Y(Q)Thermal Oil Boiler:**

1. Heating Capacity: 800000 Kcal/h
2. Max Working Temperature: 300 deg C
3. Working Pressure: 0.7 Mpa
4. Working Medium: YD-340 Thermal Oil

**Overall Installation Details:**





**Wuxi LOTOS International Co.,Ltd**  
ADD: NO 291, GUANGYI RD, CHONG AN DIS, WUXI CHINA  
Tel/fax: +86-510-8202 6466



Web: [www.lotospallet.com](http://www.lotospallet.com)  
Email: [sales@lotospallet.com](mailto:sales@lotospallet.com)  
Mobile: 0098-913 331 6692- 0098-913 111 3719